



Looking to build a freestanding Happiness Wall of your own?

If you want to have a Happiness Wall but are having a hard time finding a large wall or bulletin board you can use this as a guide to build your own freestanding Happiness Wall!

Step 1: Gather Materials

There are two places you'll need to visit to get your materials. A party supply store (like Party City) and a home improvement store (like Home Depot).

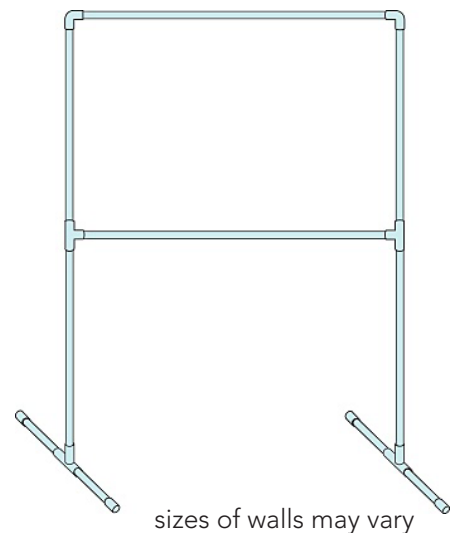
From the party supply store you will need to pick up an **orange vinyl table covering** similar to the one pictured here. They also carry a large roll of thin orange vinyl if there are no table coverings available.



From the home improvement store you will need to pick up **PVC pipe, connectors** and some **heavy duty tape** (like duct tape - which comes in many colors, maybe even orange). You can even tell one of the people working at the store what you're trying to build and they can assist with any of your questions. Make sure you create a large rectangle and a base so that the wall can stand on its own.

Step 2: Construct Your Wall

Once you have all of your supplies then build the wall and base out of PVC pipe and attach the orange vinyl table covering to it with duct tape. After you have attached the orange vinyl to your wall you're ready to go!



Step 3: Share Happiness

Start adding your happy acts and send us a picture using #HappyActs on Twitter (@LiveHappy), Instagram (@MyLiveHappy), or Facebook (facebook.com/livehappy).

happyacts.org | [#happyacts](https://twitter.com/happyacts)

[#happyacts](https://twitter.com/happyacts)

[livehappy](http://livehappy.org)